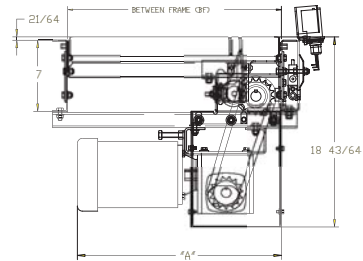


MODEL SZ796LSZ W/PHOTOEYE CONTROLLED SMART ZONE® LINE SHAFT ZERO PRESSURE ACCUMULATOR

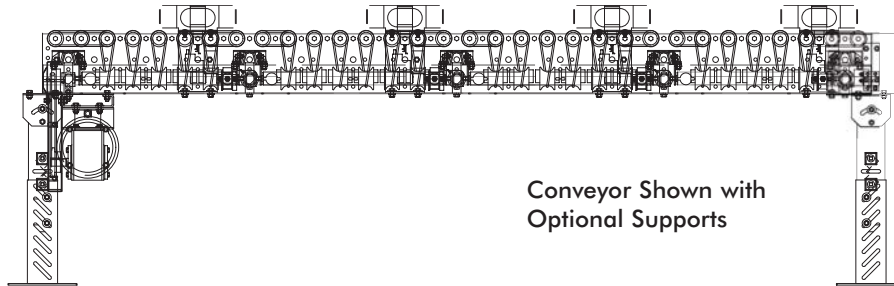


Conveyor shown with optional supports

SZ796LSZ SMART ZONE® quietly accumulates a wide variety of product sizes and features NO minimum weight limitations. SMART ZONE® eliminates sensor rollers and replaces with photo electric sensors to accumulate products with previously difficult minimal weight restrictions. This zero pressure line shaft driven accumulator is ideal for numerous light to medium duty applications since curves, spurs and other modules may be driven by a single drive.



SMART ZONE:
Retroreflective photo eyes includes 110V AC or 24V DC power supply.



Conveyor Shown with Optional Supports

HP @ 60 FPM	"A" MAX.
1/3, 1/2	21"
3/4, 1	22"
1-1/2, 2	23"

SPECIFICATIONS

TREAD ROLLERS: 1.9" dia. x 16 ga. steel, model 196S grooved.

DRIVE BELT: 3/16" dia., polyurethane belts. Nominal 15 lbs. per roller drive.

DRIVE SHAFT: 1" dia. C1018 cold rolled steel shaft.

COUPLINGS: Couplings located both ends (type "A"), one end only (type "B" or "C") or none (type "D"). See 'line shaft coupling chart' opposite page, and specify.

CENTER DRIVE: Located approximately 16-1/2" from end of bed section on 4" RC; 18" on 3" and 6" RC.

SPEED: 60 FPM, constant.

ACCUMULATION: Zone singulation operation; 2'-0" zone length; zones are pneumatically actuated using photo electric sensors.

BEARINGS: All bearings are precision, lubricated, ball bearing units with composite housings.

BED: 7" x 1-1/2" x 12 ga. formed steel channel frame. Bed sections attached with splice plates and floor supports.

FRL: Unit is provided with filter, regulator, lubricator with 1/4" ports.

PNEUMATIC ACTUATION: Maximum air line pressure should not exceed 30 PSI.

MOTOR DRIVE: 1/3 HP, 230/460/3, 60 cycle, ODP right angle gear motor.

ROLLER CHAIN: Drive shaft is driven by No. 50 chain. Chain take-up provided on motor base.

CAPACITY: See technical section for load capacity rating.

ELECTRICAL CONTROLS: Optional.



■ 3 week shipment

SPECIFICATION TABLE

CONVEYOR LENGTH		5'	10'	15'	20'	25'	30'	40'	50'	60'	70'	80'	90'	100'
BF	OAW	Unit weights (lbs.) with 3" roller centers (For other centers, deduct weights below)												
15"	18"	362	551	740	928	1117	1306	1683	2061	2438	2816	3193	3571	3948
19"	21"	382	589	796	1003	1210	1417	1831	2244	2658	3072	3486	3900	4313
21"	24"	393	612	831	1049	1268	1486	1923	2360	2797	3234	3671	4108	4545
25"	28"	405	646	888	1130	1372	1613	2096	2580	3063	3546	4029	4513	4996
27"	30"	425	672	925	1178	1431	1684	2191	2697	3203	3710	4216	4722	5229
33"	36"	437	724	1012	1300	1588	1876	2452	3027	3603	4179	4755	5331	5906
39"	42"	468	788	1146	1504	1792	2079	2724	3369	4015	4660	5305	5950	6595

Deduct the following weights (lbs.) for other than 3" centers

TREAD ROLLER CENTERS	15" BF		19" BF		21" BF		25" BF		27" BF		33" BF		39" BF	
	Per 5'	Per 10'	Per 5'	Per 10'	Per 5'	Per 10'	Per 5'	Per 10'	Per 5'	Per 10'	Per 5'	Per 10'	Per 5'	Per 10'
4"	-14	-28	-17	-34	-19	-37	-21	-42	-23	-45	-27	-53	-31	-62
6"	-18	-36	-34	-68	-37	-74	-42	-84	-45	-90	-53	-106	-62	-124

OPTIONAL EQUIPMENT

SIDE MOUNTED DRIVE: Provides overall conveyor height of 10".

ACCUMULATION ZONES: 18" and 30" long zones available, depending on roller centers.

FLOOR SUPPORTS: Supports, knee braces, casters and polytier supports available. See Conveyor Accessories.

CEILING HANGERS: 5/8" dia. threaded rod with hardware to attach rods to conveyor. Provides 6' clearance between ceiling and TOR (furnished in place of floor supports). See Conveyor Accessories.

CONVEYOR SPEED: Constant speed 15-120 FPM; DC variable speed; AC inverter variable speed. MINIMUM operating speed for line shaft conveyor is 15 FPM.

SLUG RELEASE: Products may be slug released rather than individual product release in normal zone singulation; accumulation mode will not be disturbed when slug release option utilized.

GALVANIZED ROLLERS: Tread rollers available in galvanized steel, model 196G grooved.

MOTORS: Available through 2 HP in TEFC, explosion proof, dirty duty, 115/230/1, 575/3, etc.

DEFUSED SMARTZONE: Photoeyes mounted below tread rollers.

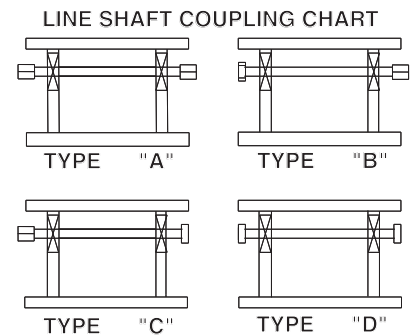


PHOTO SENSOR MOUNT



LINE SHAFT BEARING HOUSING